

EV-SEW-FLRSTAND & EV-GMEVA-D-2



Pole Floor Stand [Compatible With Single Outlet 20kW Chargers]
Ground Mount [Compatible With EV-SEW-FLRSTAND & EVA-07/22D-SE-RFID]

EV-SEW-FLRSTAND

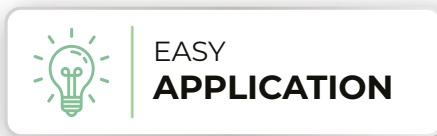
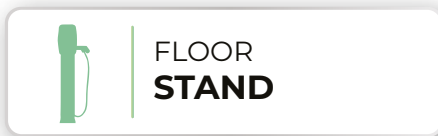
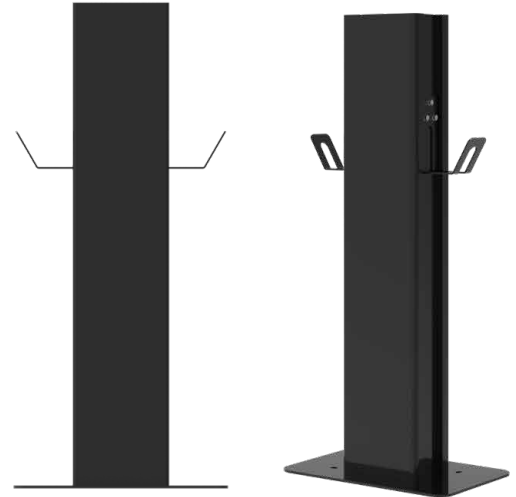
Want an electric vehicle charger but don't have a suitable wall to mount a unit on?

No problem, get yourself an EV mounting pole. The EV-SEW-FLRSTAND is suitable for EVA-07D-SE-W and EVA-22D-SE-W, it allows the ability to floor mount your charger point.

*Pictured chargers for illustration purposes only, chargers not included.

Mechanical

Dimension (W/H/D)	180/906/121mm
Weight	<14KG



EV-GMEVA-D-2

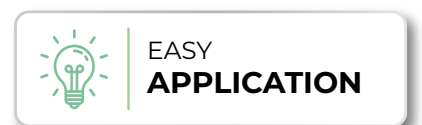
Make sure your electric vehicle charge point & mounting pole is securely placed into the ground with the EV-GMEVA-D-2.

Suitable for EVA-07D-SE-RFID, EVA-22D-SE-RFID charger models, and EVA-07D-SE-W, EVA-22D-SE-W chargers that are mounted via the EV-SEW-FLRSTAND.

*Pictured charger and floor stand are for illustration purposes only, these are not included with the EV-GMEVA-S-2, must be bought separately.

Mechanical

Dimension (W/H/D)	360/475/260mm
Weight	5.6KG

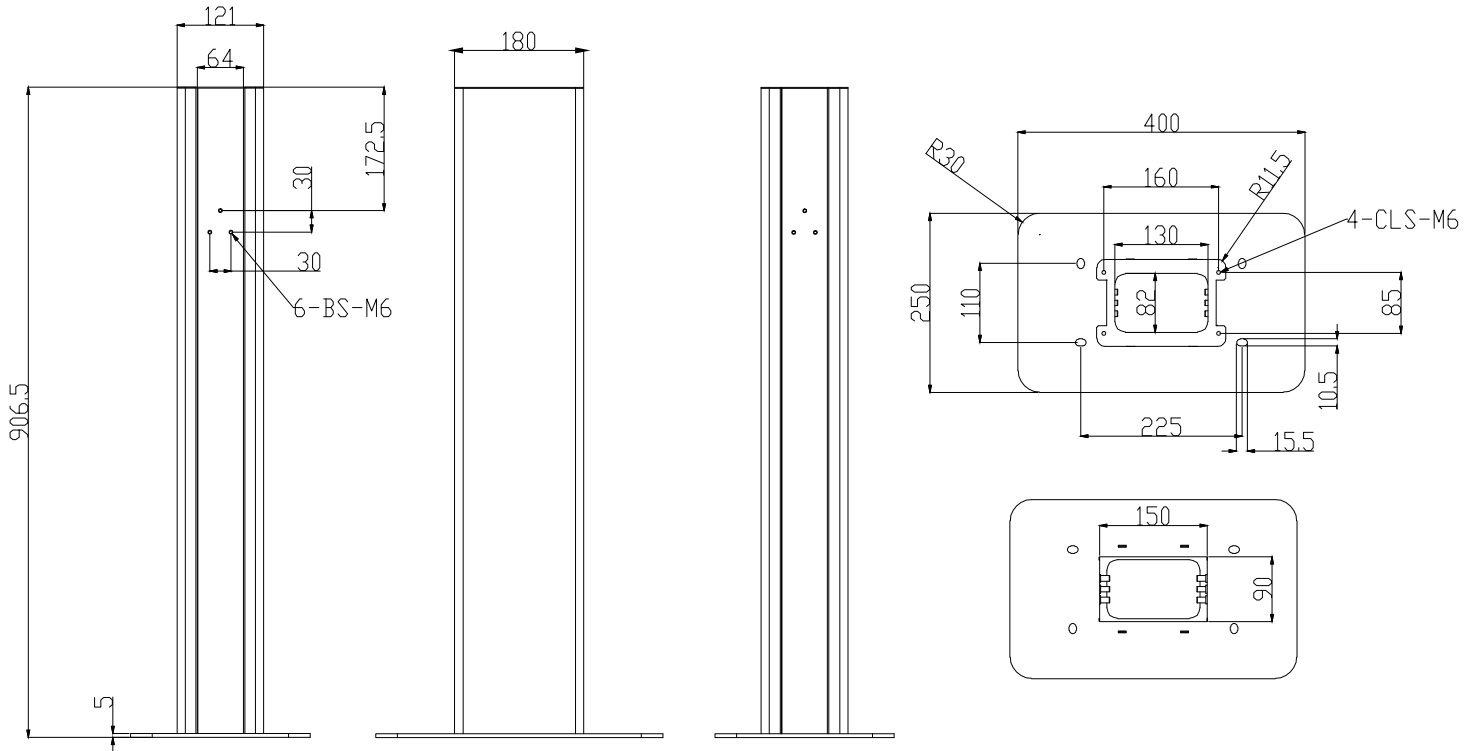


EV-SEW-FLRSTAND & EV-GMEVA-D-2

Pole Floor Stand [Compatible With Single Outlet 20kW Chargers]
Ground Mount [Compatible With EV-SEW-FLRSTAND & EVA-07/22D-SE-RFID]



EV-SEW-FLRSTAND



EV-GMEVA-D-2

