

EV-FLRSTAND20 & EV-GM20KW-2



Pole Floor Stand [Compatible With Single Outlet 20kW Chargers]
Ground Mount [Compatible With EV-FLRSTAND20]

EV-FLRSTAND20

Want an electric vehicle charger but don't have a suitable wall to mount a unit on?


No problem, get yourself an EV mounting pole. The EV-FLRSTAND20 is suitable for EVD-20S-P, it allows the ability to floor mount your charger point.


*Pictured chargers for illustration purposes only, chargers not included.

Mechanical

Dimension (W/H/D)	360/1500/260mm
Weight	<14KG



 **FLOOR STAND**

 **EASY APPLICATION**

 **SLEEK DESIGN**

EV-GM20KW-2

Make sure your electric vehicle charge point & mounting pole is securely placed into the ground with the EV-GM20KW-2.

Suitable for 20kW models, mounted via an EV-FLRSTAND20.

*Pictured charger and floor stand are for illustration purposes only, these are not included with the EV-GMEVA-S-2, must be bought separately.


Mechanical

Dimension (W/H/D)	360/475/260mm
Weight	5.6KG



 **SAFE STRUCTURE**

 **GROUND MOUNT**

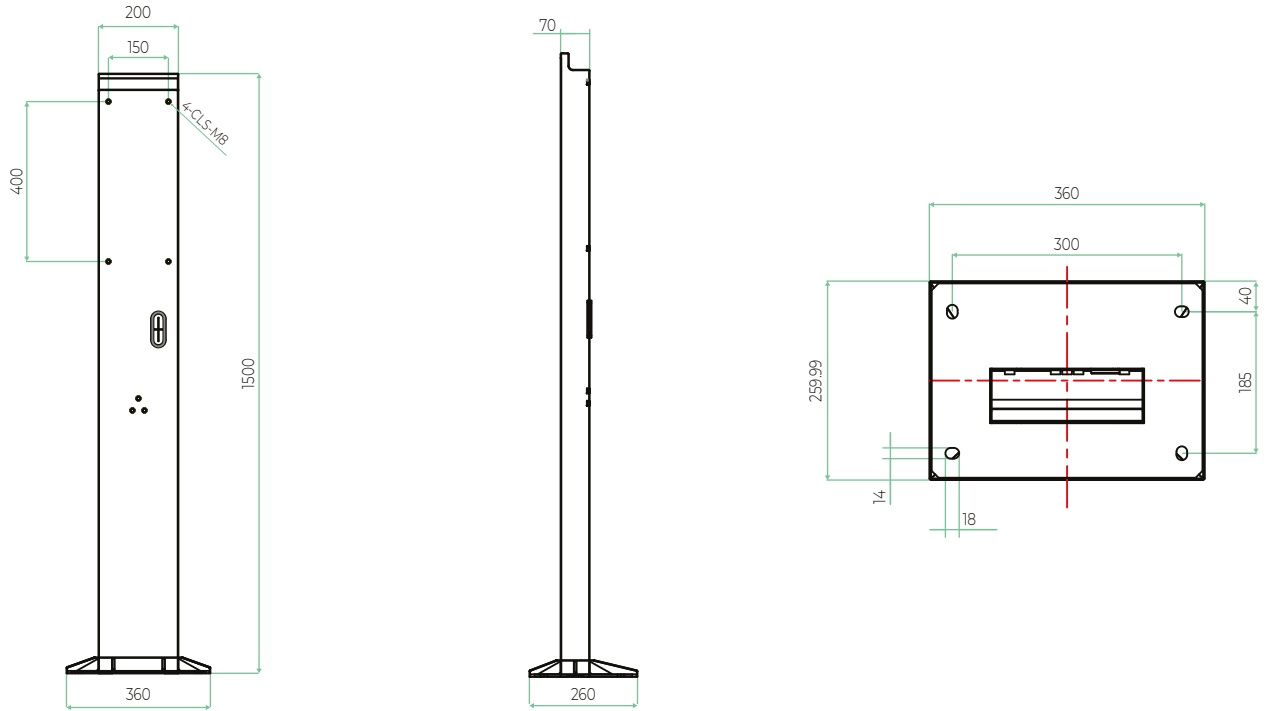
 **EASY APPLICATION**

EV-FLRSTAND20 & EV-GM20KW-2

Pole Floor Stand [Compatible With Single Outlet 20kW Chargers]
Ground Mount [Compatible With EV-FLRSTAND20]



EV-FLRSTAND20



EV-GM20KW-2

