

EV-FLRSTAND-40KW-2 & EV-GM40KW-2

PROJECT EV

Pole Floor Stand [Compatible With 40kW Chargers]
Ground Mount [Compatible With EV-FLRSTAND-40KW-2]

EV-FLRSTAND-40KW-2

Want an EV charger but don't have a suitable wall for installation? No problem. With an EV mounting pole, you can easily install your charger exactly where you need it.

The EV-FLRSTAND-40KW-2 is designed for 40kW models, providing a secure and reliable floor-mounted solution for your charging point.

*Pictured chargers for illustration purposes only, chargers not included.



Mechanical

Dimension (W/H/D)	360/1652/235mm
Weight	<25KG



FLOOR
STAND



EASY
APPLICATION



SLEEK
DESIGN

EV-GM40KW-2

Make sure your electric vehicle charge point & mounting pole is securely placed into the ground with the EV-GM40KW-2.

Suitable for 40kW models, mounted via an EV-FLRSTAND-40KW-2.

*Pictured charger and floor stand are for illustration purposes only, these are not included with the EV-GMEVA-S-2, must be bought separately.



Mechanical

Dimension (W/H/D)	480/475/280mm
Weight	7.3KG



SAFE
STRUCTURE



GROUND
MOUNT



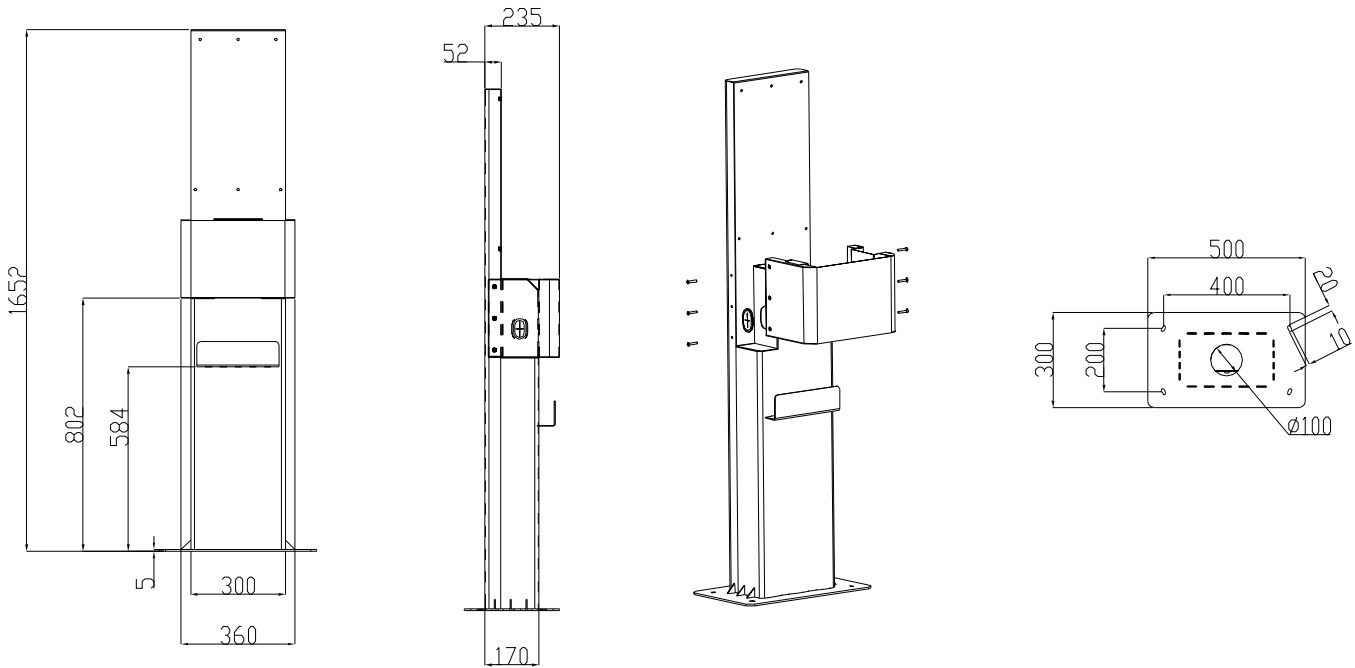
EASY
APPLICATION

EV-FLRSTAND-40KW-2 & EV-GM40KW-2



Pole Floor Stand [Compatible With 40kW Chargers]
Ground Mount [Compatible With EV-FLRSTAND-40KW-2]

EV-FLRSTAND-40KW-2



EV-GM40KW-2

