

MOUNT POLE

EV-FLRSTAND

PROJECT EV



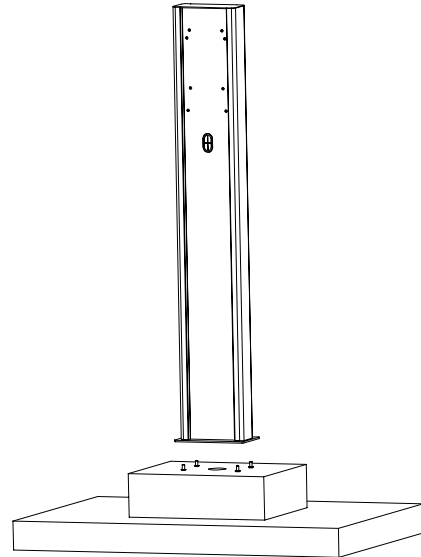
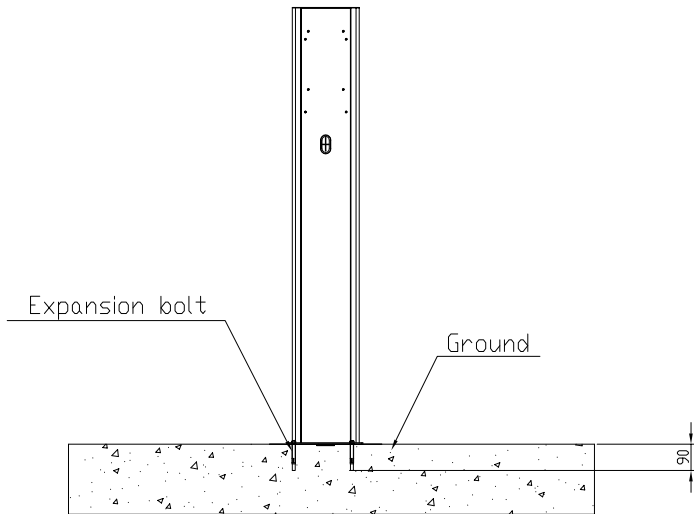
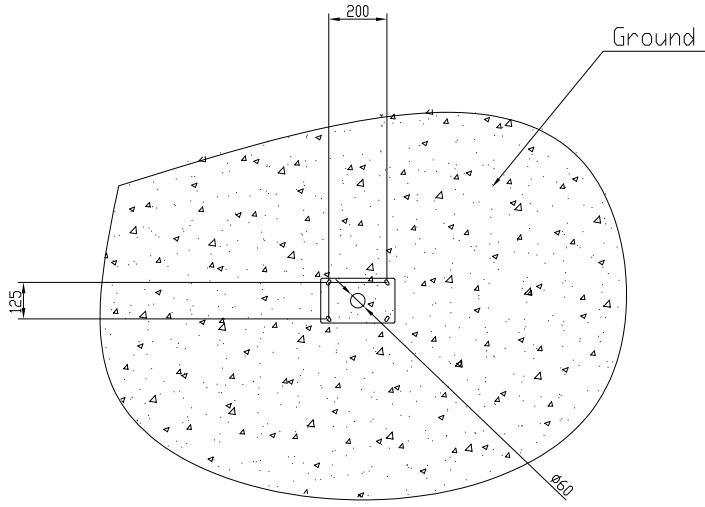
SLEEK DESIGN

Attractive appearance,
simple but elegant



EASY TO INSTALL





Dimension (W/H/D)	255/1500/154mm
Weight	14KG
Applicable models	EVA-03S-P / EVA-03S-S EVA-07S-P / EVA-07S-S EVA-11S-P / EVA-11S-S EVA-22S-P / EVA-22S-S EVA-44S-P