

EVC-AC44D / DC150D



150kW EV DC Charging Station (Three Phase)
Inc. 2 x 22kW AC 3-phase Type-2 Sockets load managed



CONVENIENT

7" touch screen LCD for parameter browsing and setting



RELIABLE

IP54 protection level for outdoor installation



SAFE STRUCTURE

DC gun hidden design



FLEXIBLE

QR code and RFID payment supported



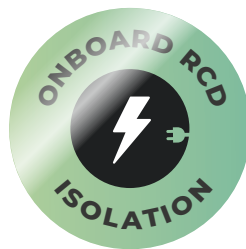
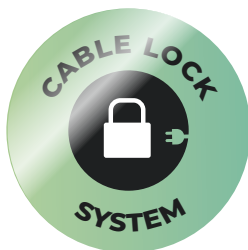
CAPABLE

Dual CCS plug, Type II plug, more efficient charging



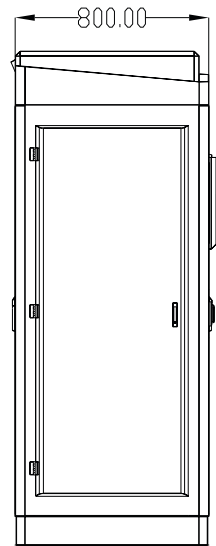
TIME SHIFTING

You could save 100's per year by utilising off peak energy tariffs to charge your vehicle



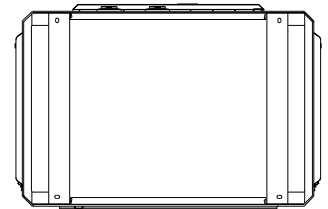
Input & Output

Input voltage	AC415V
Frequency	50HZ±1
Max input power	200kW
Connection	DC Plug *2, AC socket*2
DC Charging	CCS, double plugs
AC Charging	Type 2, double sockets
Output voltage range	200-850V DC
DC output current	Single connector max 220A/ per phase
AC output current	32A per socket
Voltage accuracy (DC)	≤1%
Current accuracy (DC)	≥30A:±1% ; <30A:±0.3A
Ripple coefficient (DC)	RMS: ±0.5; Peak: ±1
Efficiency (DC)	≥94%



Protection

Over voltage protection	Yes
Under voltage protection	Yes
Over load protection	Yes
Short circuit protection	Yes
Earth leakage protection	Yes
Over-temp protection	Yes
Surge protection	Yes

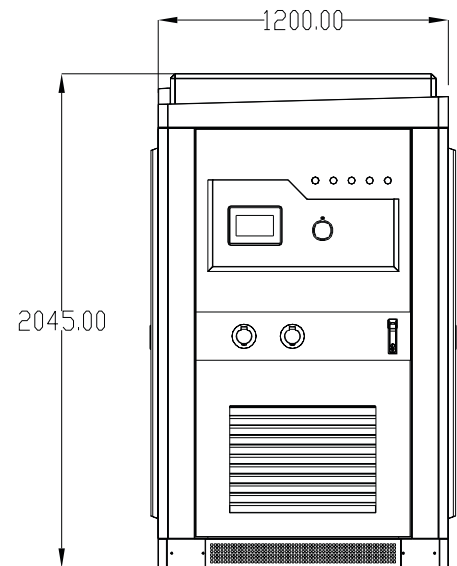


Function and Accessory

Ethernet/WIFI/4G	Yes/Opt/Opt
Display	7 inch touch screen
Indicator	Yes
Payment support	RFID/QR(standard)
Emergency stop	Yes
Cable Length	5m
Metering Accuracy	0.5%

Working Environment

Protection degree	IP54
Environment temperature	-20°C ~ +65°C
Relative humidity	0-95% non-condensing
Maximum altitude	<2000m
Cooling	Forced air cooling
Standby power	<30W
Noise emission	≤65db



Mechanical

Dimension (W/H/D)	1260/2045/800mm
Weight	900KG

Certification

Certificate	CE
-------------	----

